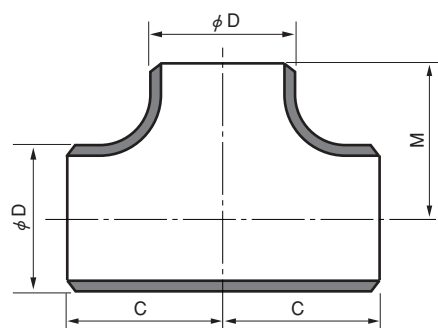


同径Tの形状・寸法



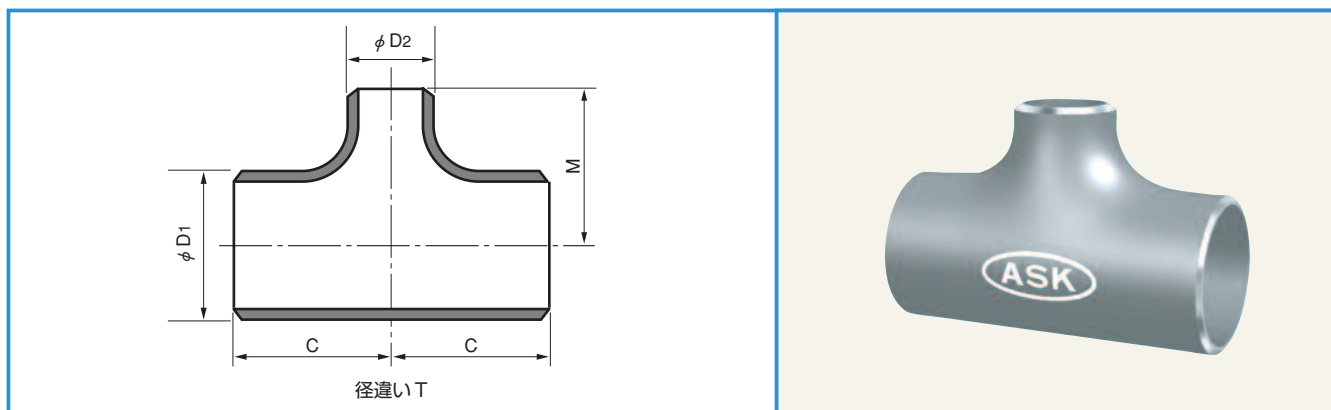
同径T



単位：mm

径の呼び		外径 φD	中心から端面までの距離	
A	B		C	M
15	1/2	21.7	25.4	25.4
20	3/4	27.2	28.6	28.6
25	1	34.0	38.1	38.1
32	1 1/4	42.7	47.6	47.6
40	1 1/2	48.6	57.2	57.2
50	2	60.5	63.5	63.5
65	2 1/2	76.3	76.2	76.2
80	3	89.1	85.7	85.7
90	3 1/2	101.6	95.3	95.3
100	4	114.3	104.8	104.8
125	5	139.8	123.8	123.8
150	6	165.2	142.9	142.9
200	8	216.3	177.8	177.8
250	10	267.4	215.9	215.9
300	12	318.5	254.0	254.0
350	14	355.6	279.4	279.4
400	16	406.4	304.8	304.8
450	18	457.2	342.9	342.9
500	20	508.0	381.0	381.0
550	22	558.8	419.1	419.1
600	24	609.6	431.8	431.8

径違いTの形状・寸法



単位：mm

径の呼び		外径		中心から端面までの距離		径の呼び		外径		中心から端面までの距離	
A	B	φD ₁	φD ₂	C	M	A	B	φD ₁	φD ₂	C	M
20 × 15	3/4 × 1/2	27.2	21.7	28.6	28.6	200 × 150	8 × 6	216.3	165.2	177.8	168.3
25 × 20	1 × 3/4	34.0	27.2	38.1	38.1	125	5		139.8		161.9
15	1/2		21.7		38.1	100	4		114.3		155.6
32 × 25	1 1/4 × 1	42.7	34.0	47.6	47.6	90	3 1/2		101.6		152.4
20	3/4		27.2		47.6	250 × 200	10 × 8	267.4	216.3	215.9	203.2
15	1/2		21.7		47.6	150	6		165.2		193.7
40 × 32	1 1/2 × 1 1/4	48.6	42.7	57.2	57.2	125	5		139.8		190.5
25	1		34.0		57.2	100	4		114.3		184.2
20	3/4		27.2		57.2	300 × 250	12 × 10	318.5	267.4	254.0	241.3
15	1/2		21.7		57.2	200	8		216.3		228.6
50 × 40	2 × 1 1/2	60.5	48.6	63.5	60.3	150	6		165.2		219.1
32	1 1/4		42.7		57.2	125	5		139.8		215.9
25	1		34.0		50.8	350 × 300	14 × 12	355.6	318.5	279.4	269.9
20	3/4		27.2		44.5	250	10		267.4		257.2
65 × 50	2 1/2 × 2	76.3	60.5	76.2	69.9	200	8		216.3		247.7
40	1 1/2		48.6		66.7	150	6		165.2		238.1
32	1 1/4		42.7		63.5	400 × 350	16 × 14	406.4	355.6	304.8	304.8
25	1		34.0		57.2	300	12		318.5		295.3
80 × 65	3 × 2 1/2	89.1	76.3	85.7	82.6	250	10		267.4		282.6
50	2		60.5		76.2	200	8		216.3		273.1
40	1 1/2		48.6		73.0	150	6		165.2		263.5
32	1 1/4		42.7		69.9	450 × 400	18 × 16	457.2	406.4	342.9	330.2
90 × 80	3 1/2 × 3	101.6	89.1	95.3	92.1	350	14		355.6		330.2
65	2 1/2		76.3		88.9	300	12		318.5		320.7
50	2		60.5		82.6	250	10		267.4		308.0
40	1 1/2		48.6		79.4	500 × 450	20 × 18	508.0	457.2	381.0	368.3
100 × 90	4 × 3 1/2	114.3	101.6	104.8	101.6	400	16		406.4		355.6
80	3		89.1		98.4	350	14		355.6		355.6
65	2 1/2		76.3		95.3	300	12		318.5		346.1
50	2		60.5		88.9	250	10		267.4		333.4
40	1 1/2		48.6		85.7	200	8		216.3		323.9
125 × 100	5 × 4	139.8	114.3	123.8	117.5	550 × 500	22 × 20	558.8	508.0	419.1	406.4
90	3 1/2		101.6		114.3	450	18		457.2		393.7
80	3		89.1		111.1	400	16		406.4		381.0
65	2 1/2		76.3		108.0	600 × 550	24 × 22	609.6	558.8	431.8	431.8
50	2		60.5		104.8	500	20		508.0		431.8
150 × 125	6 × 5	165.2	139.8	142.9	136.5	450	18		457.2		419.1
100	4		114.3		130.2						
90	3 1/2		101.6		127.0						
80	3		89.1		123.8						
65	2 1/2		76.3		120.7						